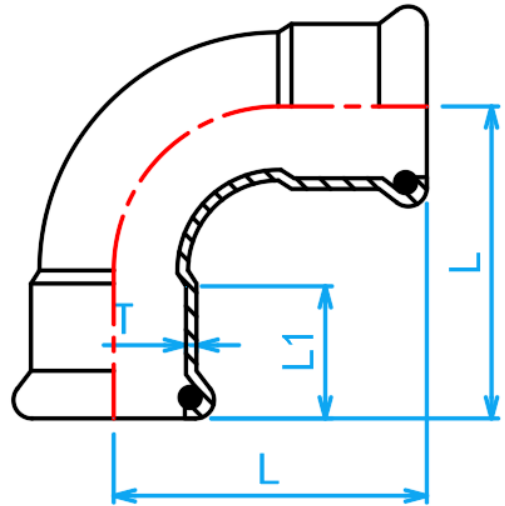


STAINLESS STEEL 316L PRESS FIT FITTINGS (M PROFILE)

COMPLY WITH BSEN1254-2: 1998



90° ELBOW



CROSS SECTIONAL VIEW

DIMENSIONS

SKU	SIZE (mm)	L (mm)	L1 (mm)	T (mm)	WEIGHT (kg)	PCS/CTN
SS316LPFNE90015	15	42	20	1.5	0.045	300
SS316LPFNE90020	22	51	21	1.5	0.077	150
SS316LPFNE90025	28	60	23	1.5	0.124	150
SS316LPFNE90035	35	72	26	1.5	0.165	100
SS316LPFNE90042	42	85	31	1.5	0.239	60
SS316LPFNE90050	54	105	36	1.5	0.375	32
SS316LPFNE90065	67	143	50	1.8	0.825	13
SS316LPFNE90080	76	150	51	2.0	0.990	12
SS316LPFNE90100	108	221	75	2.0	2.110	4